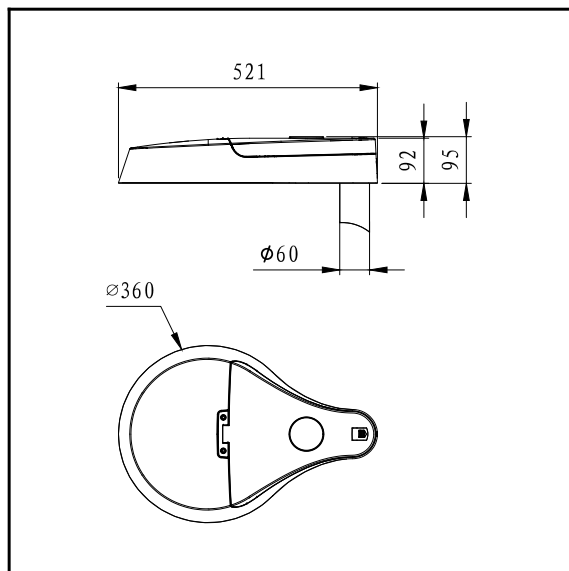




The photograph may not match the reference exactly. Please read the product description to identify the finish.



### TECHNICAL CHARACTERISTICS



Product Model:	D-221SLED40-32	D-221SLED60-32
IP Protection degrees:	IP66	
IK Protection degrees:	IK08	
Light source:	32 x LED CREE / 32 x LUXEON 5050	
Total power consumption:	40W	60W
Luminous Flux:	4000-6000Lm	6000-9000Lm
Luminous efficiency:	100-150Lm/w	
Color temperature:	4000K as standard. Optimal 2700K, 3000K & 5700K. Amber LED available	
Voltage/Frequency:	100-240V/50-60Hz	
Warranty(Years):	5	
Units per box:	1	
Net Weight(Kg)	6	6
Aerodynamic resistance (CxS)	0.12	

### MATERIALS / FINISHES

<b>Structure material:</b> High purity aluminium	<b>diffuser material:</b> Glass
<b>Structure finish:</b> Silver	<b>Diffuser finish:</b> Transparent

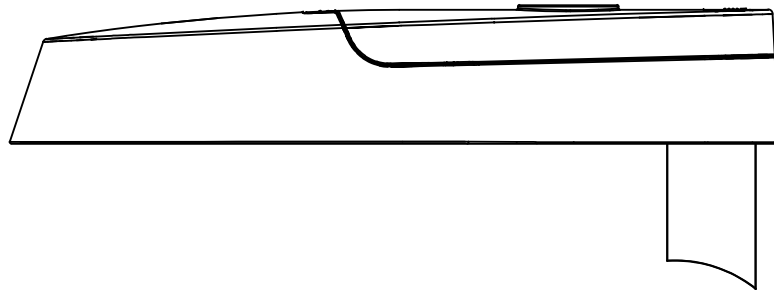
### GEAR

Multi-voltage electronic gear included (110-240 V / 50-60 Hz)

Lm<sup>(N)</sup>: Nominal flow of light in actual working conditions. Its actual flow will depend on the environmental conditions and the efficiency of the optics and/or diffuser.

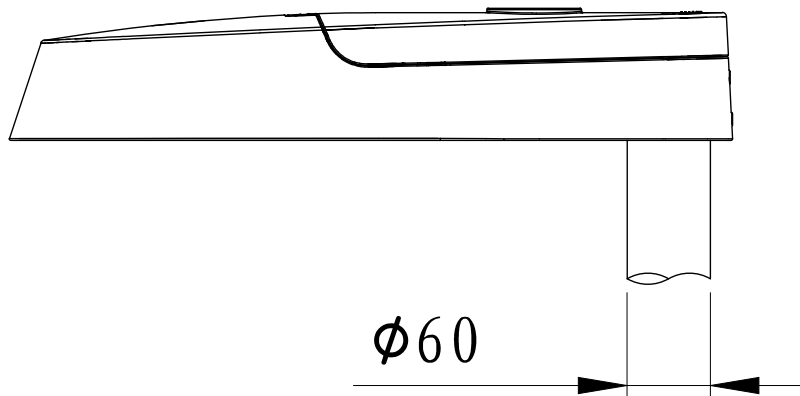
Kled reserves the right to make the necessary technical changes they deem adequate, in order to improve the features of the product. Please consult the sales team to clarify any doubt.

Tel.: +86 574 62566 890  
Email: info@kled.com.cn  
http://www.kled.com.cn/



Ultra-white glass

High purity aluminum



installation template