

The photograph may not match the reference exactly. Please read the product description to identify the finish.

**TECHNICAL CHARACTERISTICS**



Product Model:	T-20LLED30-16	T-20LLED40-24	T-20LLED60-24	T-20LLED80-32
IP Protection degrees:	IP66			
IK Protection degrees:	IK08			
Light source:	16 x LED CREE / 16 x LUXEON 5050	24 x LED CREE / 24 x LUXEON 5050	24 x LED CREE / 24x LUXEON 5050	32 x LED CREE / 32 x LUXEON 5050
Total power consumption:	30W	40W	60W	80W
Luminous Flux:	3300-3900Lm	4400-5200Lm	6600-7800Lm	8800-10400Lm
Luminous efficiency:	110-130Lm/w			
Color temperature:	4000K as standard. Optinal 2700K,3000K & 5700K. Amber LED available			
Voltage/Frequency:	110-240V/50-60Hz			
Warranty(Years):	5			
Units per box:	1(Body)/5(Bracket)			
Net Weight(Kg)	14.3	14.3	14.5	14.5
Aerodynamic resistance (CxS)	0.27			

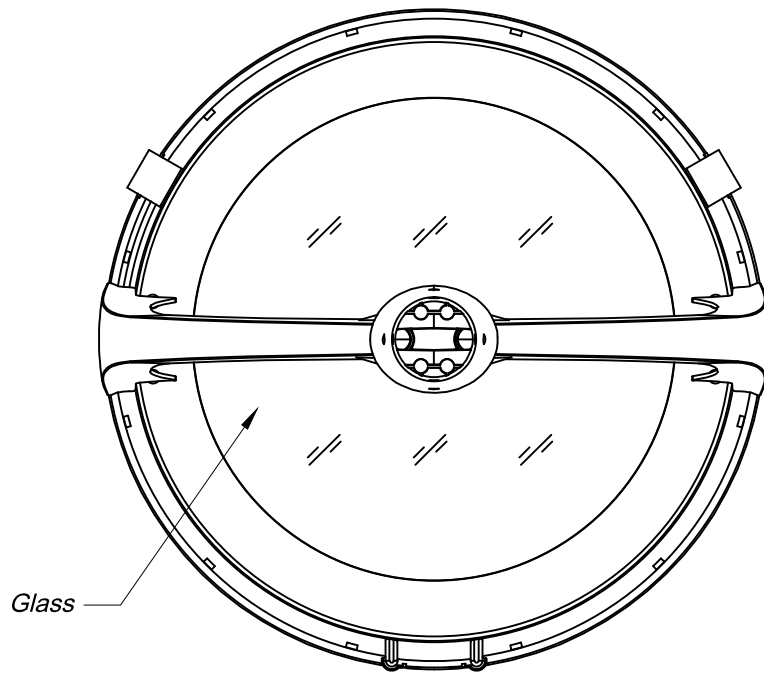
**MATERIALS / FINISHES**

<b>Structure material:</b> High purity aluminium	<b>aiffuser material:</b> Glass
<b>Structure finish:</b> Silver	<b>Diffuser finish:</b> Transparent

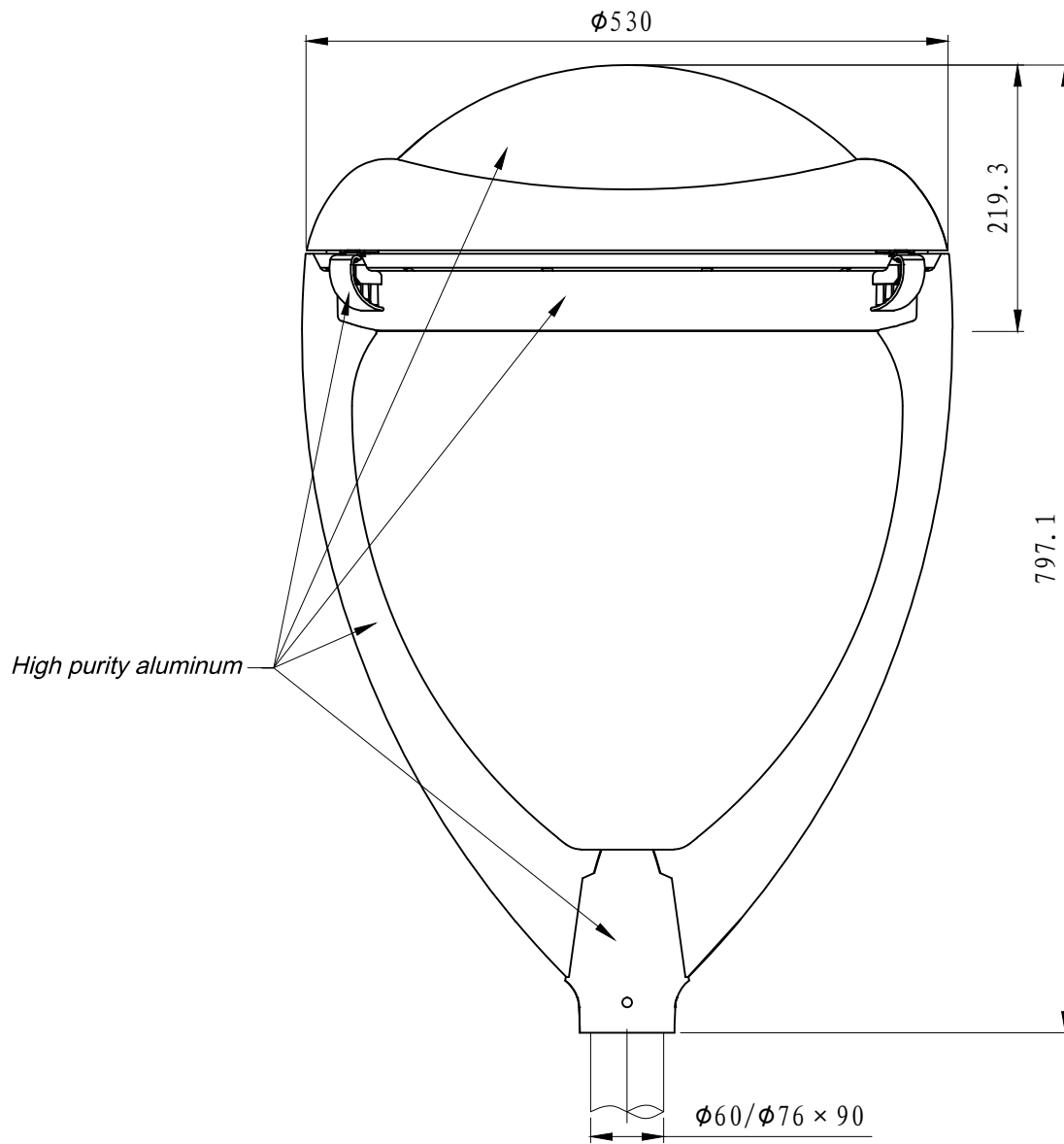
**GEAR**

Multi-voltage electronic gear included (100-240 V / 50-60 Hz)

Lm<sup>(N)</sup>: Nominal flow of light in actual working conditions. Its actual flow will depend on the environmental conditions and the efficiency of the optics and/or diffuser.



Glass



$\phi 530$

219.3

797.1

High purity aluminum

$\phi 60/\phi 76 \times 90$