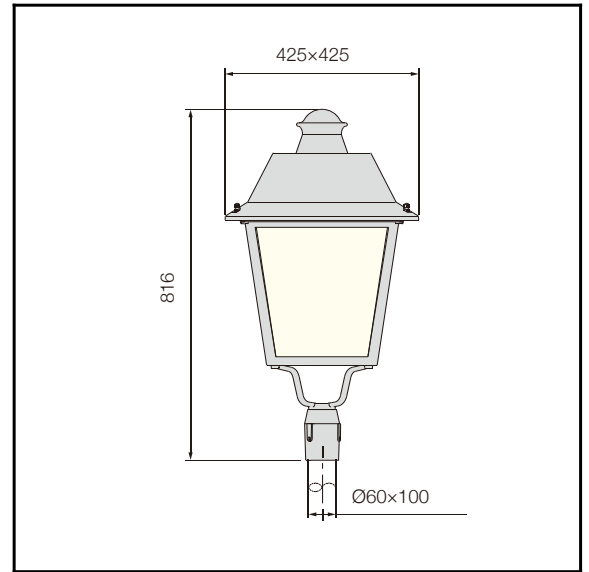




The photograph may not match the reference exactly. Please read the product description to identify the finish.



T-75MI LED

TECHNICAL CHARACTERISTICS



Product Model:	T-75MILED30-12	T-75MILED60-24	T-75MILED40-16	T-75MILED80-32	T-75MILED40-56B	T-75MILED60-84B
IP Protection degrees:	IP66	IP66	IP66	IP66	IP66	IP66
IK Protection degrees:	IK08	IK08	IK08	IK08	IK08	IK08
Light source:	12 x LED CREE / 12 x LUXEON 5050	24 x LED CREE / 24 x LUXEON 5050	16 x LED CREE / 16 x LUXEON 5050	32 x LED CREE / 32 x LUXEON 5050	56 x LED CREE / 56 x LUXEON 5050	84 x LED CREE / 84 x LUXEON 5050
Total power consumption:	30W	60W	40W	80W	40W	60W
Luminous Flux:	37500-4000Lm	7500-8100Lm	5000-5400Lm	10000-10800Lm	5000-5400Lm	7500-8100Lm
Luminous efficiency:	125-135Lm/w					
Color temperature:	4000K as standard. Optinal 2700K,3000K & 5700K. Amber LED available					
Voltage/Frequency:	100-240V/50-60Hz					
Warranty(Years):	5					
Units per box:	1					
Net Weight(Kg)	9	9.2	9.2	9.3	9.2	9.2

MATERIALS / FINISHES

Structure material: High purity aluminium	aiffuser material: Glass
Structure finish: Black	Diffuser finish: Transparent

GEAR

Multi-voltage electronic gear included (100-240 V / 50-60 Hz)

Lm^(N): Nominal flow of light in actual working conditions. Its actual flow will depend on the environmental conditions and the efficiency of the optics and/or diffuser.

