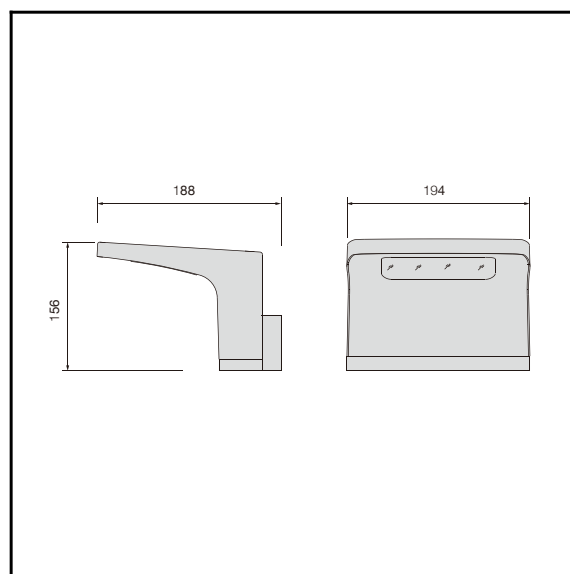




The photograph may not match the reference exactly. Please read the product description to identify the finish.



**B-142**

### TECHNICAL CHARACTERISTICS

Product Model:	B-142
IP Protection degrees:	IP65
IK Protection degrees:	IK06
Light source:	60 x SMD 2835
Total power consumption:	12W
Luminous Flux:	720Lm
Luminous efficiency:	60Lm/w
Color temperature:	4000K as standard. Optinal 2700K,3000K & 5700K. Amber LED available
Voltage/Frequency:	100-240V/50-60Hz
Warranty(Years):	3
Units per box:	4
Net Weight(Kg)	1.7



### MATERIALS / FINISHES

<b>Structure material:</b> High purity aluminium	<b>aiffuser material:</b> PC
<b>Structure finish:</b> Grey	<b>Diffuser finish:</b> Matt

### GEAR

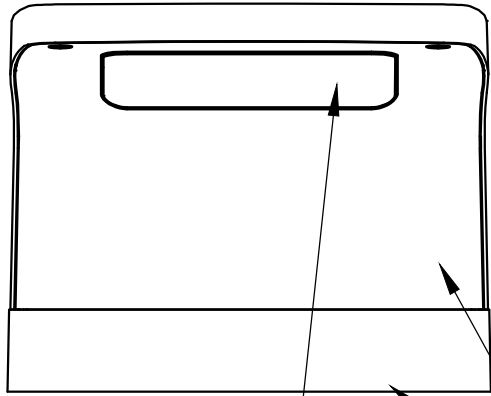
Multi-voltage electronic gear included (110-240 V / 50-60 Hz)

Lm<sup>(N)</sup>: Nominal flow of light in actual working conditions. Its actual flow will depend on the environmental conditions and the efficiency of the optics and/or diffuser.

Kled reserves the right to make the necessary technical changes they deem adequate, in order to improve the features of the product.  
Please consult the sales team to clarify any doubt.

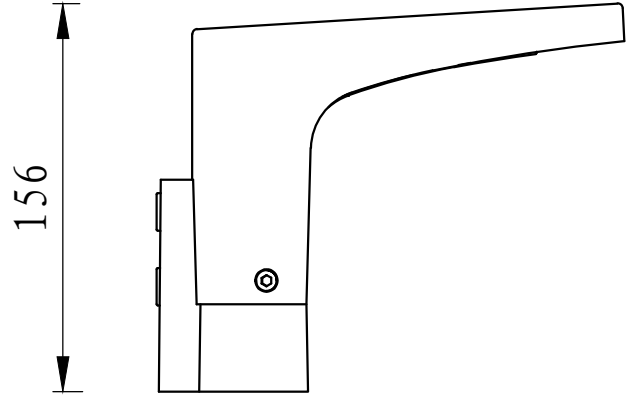
Tel.: +86 574 62566 890  
Email: info@kled.com.cn  
http://www.kled.com.cn/

194



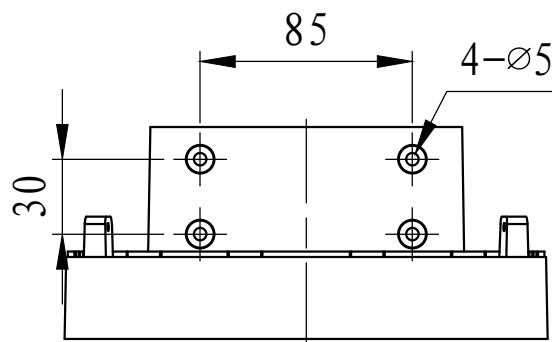
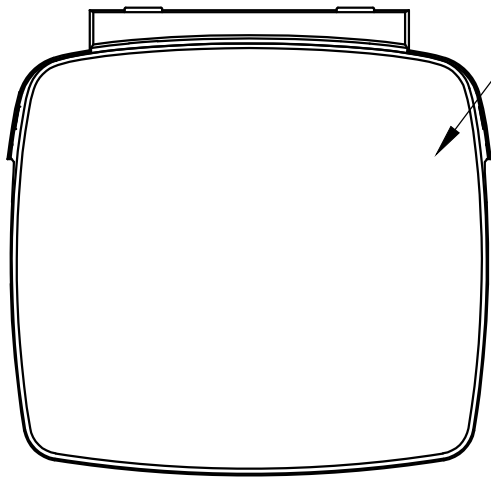
Diffusion PC

188



156

High purity aluminum



Installation template