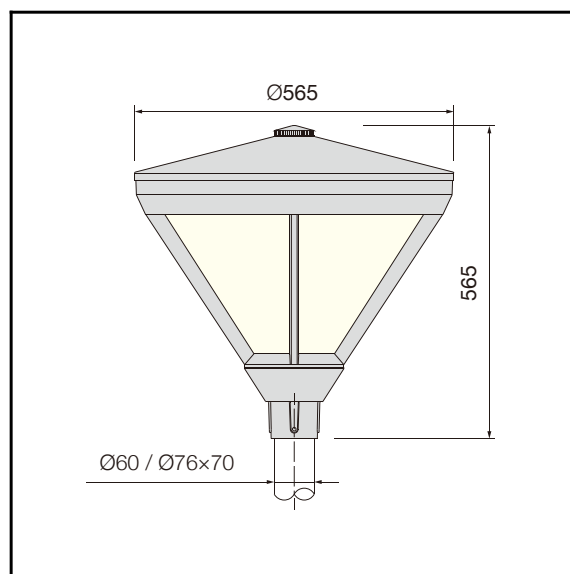




The photograph may not match the reference exactly. Please read the product description to identify the finish.



**TECHNICAL CHARACTERISTICS**



Type:	Street Lighting	Street Lighting
IP Protection degrees:	IP65	IP65
IK Protection degrees:	IK08	IK08
Light source 1:	24x LED CREE 60W 3000-6000K 4500lm <sup>(N)</sup> CRI 75	32x LED CREE 80W 3000-6000K 5680lm <sup>(N)</sup> CRI 75
Total power consumption (W):	60.5	80.2
Voltage / Frequency:	100-240V/50-60Hz	100-240V/50-60Hz
Warranty (Years):	5	5
Units per box:	1	1
Net Weight (Kg):	9.8	10.2

**MATERIALS / FINISHES**

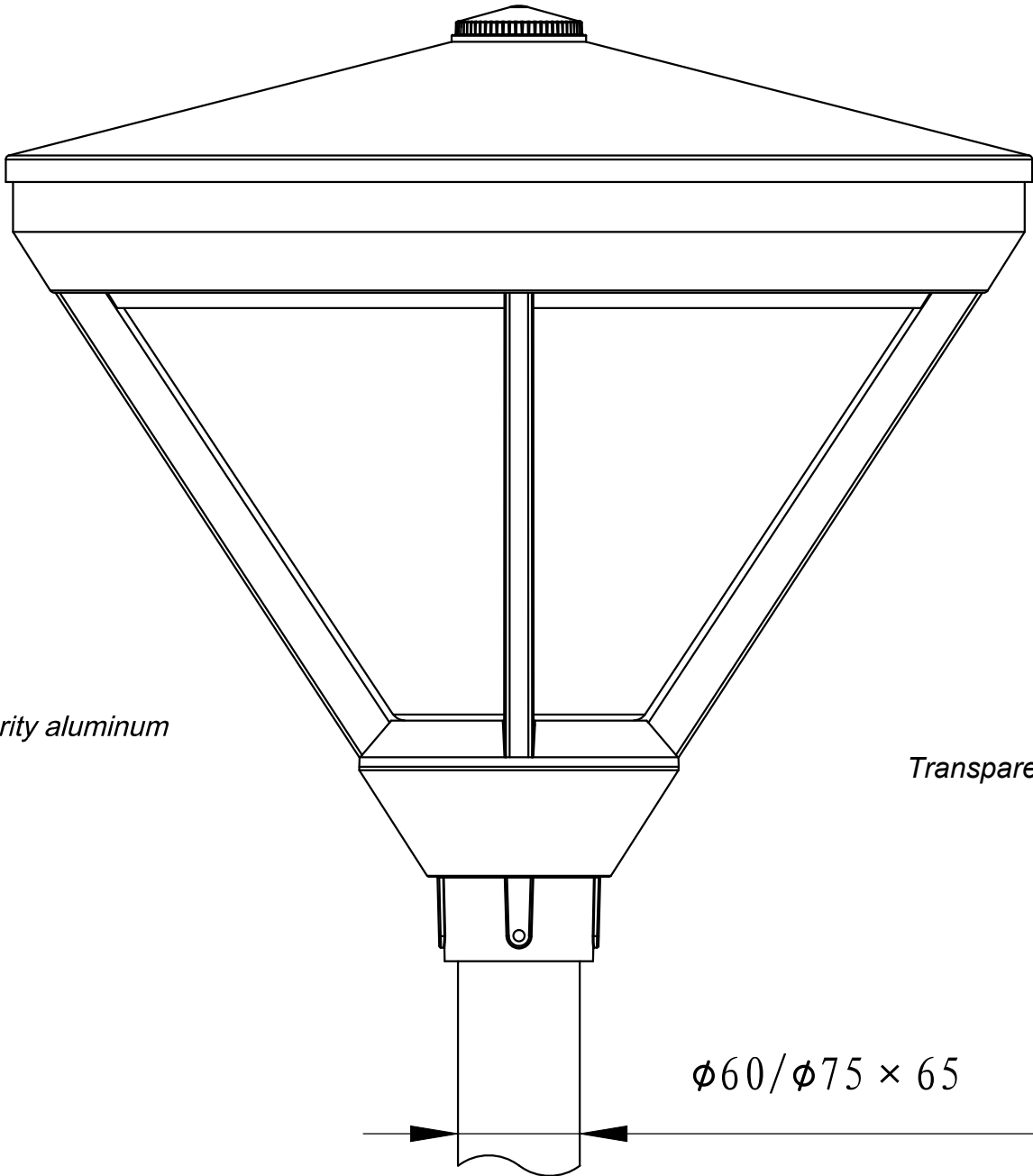
<b>Structure material:</b> High purity aluminium	<b>Diffuser material:</b> PC diffuser
<b>Structure finish:</b> Black	<b>Diffuser finish:</b> Matt

**GEAR**

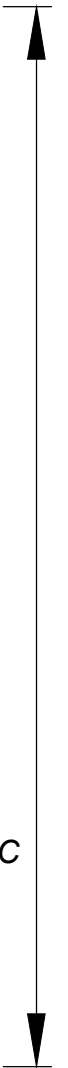
Multi-voltage electronic gear included (110-240 V / 50-60 Hz)

Lm<sup>(N)</sup>: Nominal flow of light in actual working conditions. Its actual flow will depend on the environmental conditions and the efficiency of the optics and/or diffuser.

Ø610



565



*High purity aluminum*

*Transparent PC*

Ø60/Ø75 × 65

