

The photograph may not match the reference exactly. Please read the product description to identify the finish.

**TECHNICAL CHARACTERISTICS**



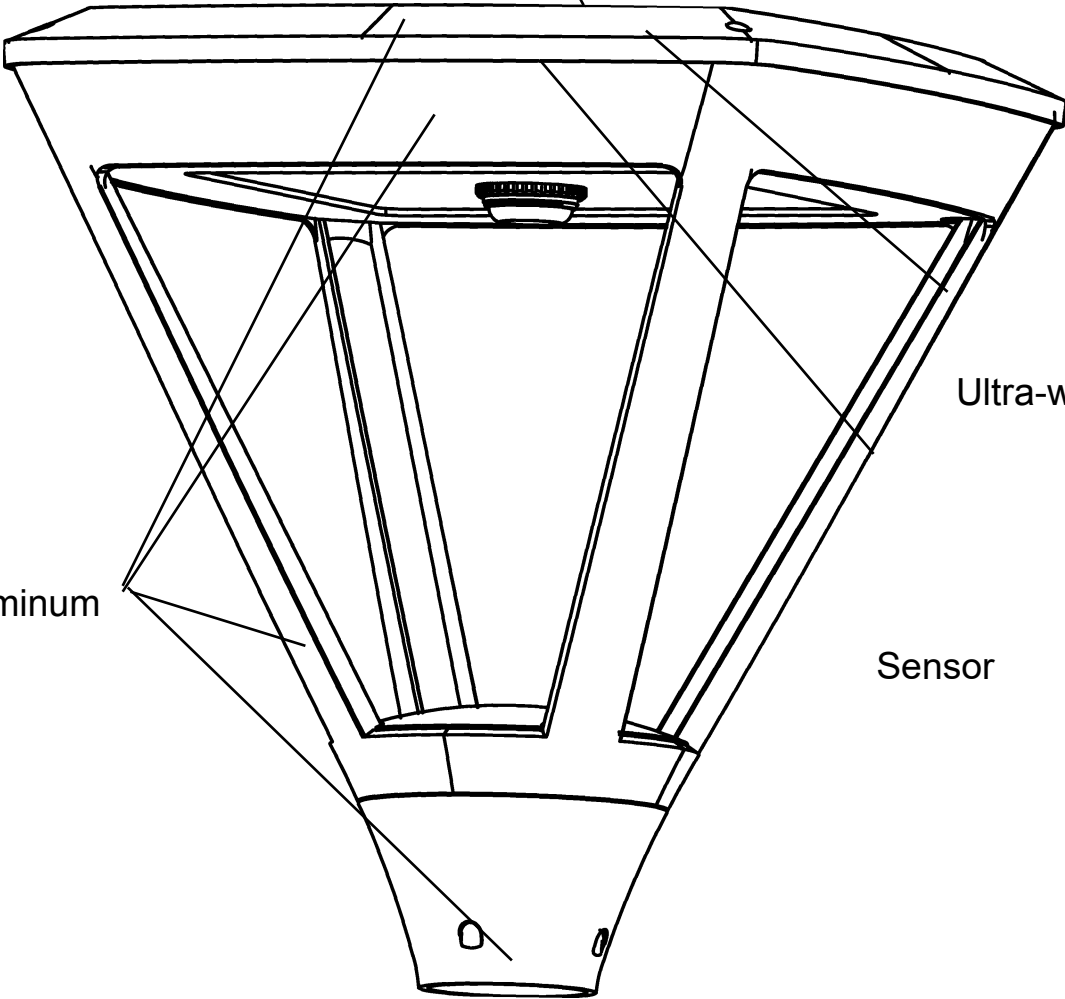
Product Model:	TS-70NLED10-16
IP Protection degrees:	IP66
IK Protection degrees:	IK08
Light source:	16x SMD 3030
Total power consumption:	10W
Luminous Flux:	1100Lm
Luminous efficiency:	110Lm/w
Color temperature:	4000K as standard. Optinal 2700K,3000K & 5700K. Amber LED available
Warranty(Years):	5
Units per box:	1
Net Weight(Kg)	10.8

**MATERIALS / FINISHES**

<b>Structure material:</b> High purity aluminium	<b>aiffuser material:</b> Glass
<b>Structure finish:</b> Silver	<b>Diffuser finish:</b> Transparent

Lm<sup>(N)</sup>: Nominal flow of light in actual working conditions. Its actual flow will depend on the environmental conditions and the efficiency of the optics and/or diffuser.

Solar panel



Ultra-white glass

High purity aluminum

Sensor