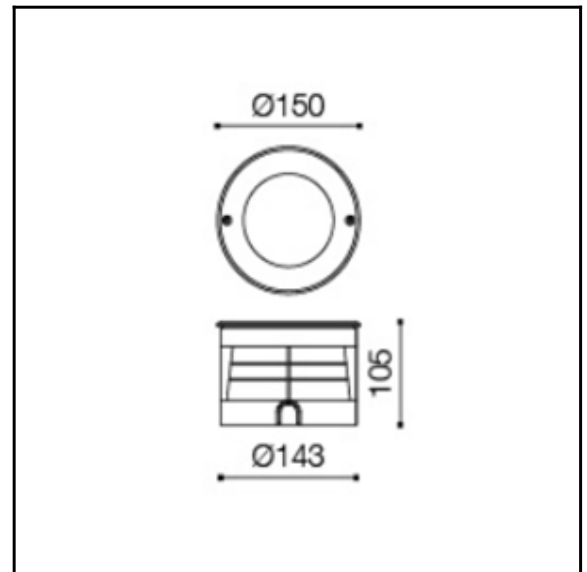




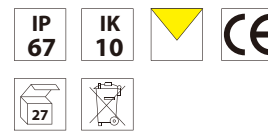
The photograph may not match the reference exactly. Please read the product description to identify the finish.



**M-04**

**TECHNICAL CHARACTERISTICS**

Type:	Inground lighting
IP Protection degrees:	IP67
IK Protection degrees:	IK10
Light source 1:	7x LED CREE 7W 3000K/6000K 630 lm <sup>(N)</sup> CRI 75
Total power consumption (W):	7.3
Voltage / Frequency:	100-240V/50-60Hz
Warranty (Years):	3
Units per box:	27
Net Weight (Kg):	1.4



**MATERIALS / FINISHES**

<b>Structure material:</b> High purity aluminium	<b>aiffuser material:</b> Glass
<b>Structure finish:</b> Grey	<b>Diffuser finish:</b> Matt

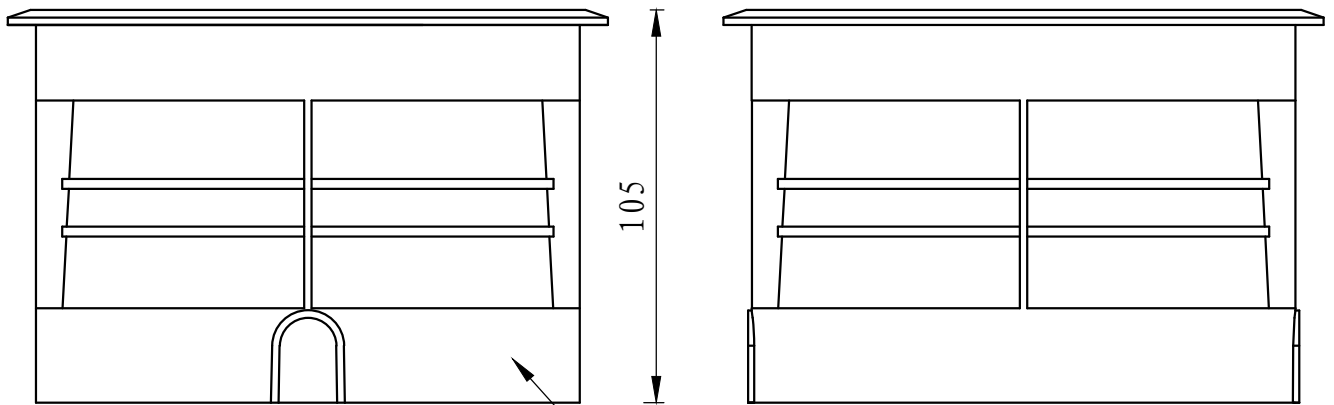
**GEAR**

Multi-voltage electronic gear included (110-240 V / 50-60 Hz)

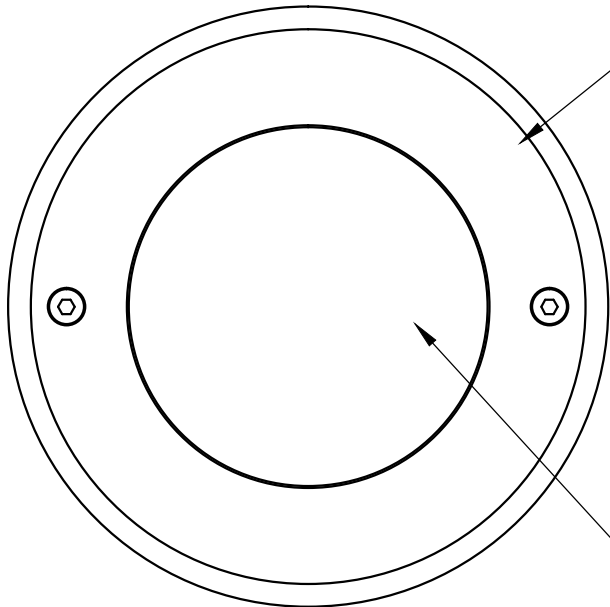
Lm<sup>(N)</sup>: Nominal flow of light in actual working conditions. Its actual flow will depend on the environmental conditions and the efficiency of the optics and/or diffuser.

Kled reserves the right to make the necessary technical changes they deem adequate, in order to improve the features of the product. Please consult the sales team to clarify any doubt.

Ø150



Nylon



Stainless steel

Sandfrosted glass inside

# OUTDOOR

M-04

