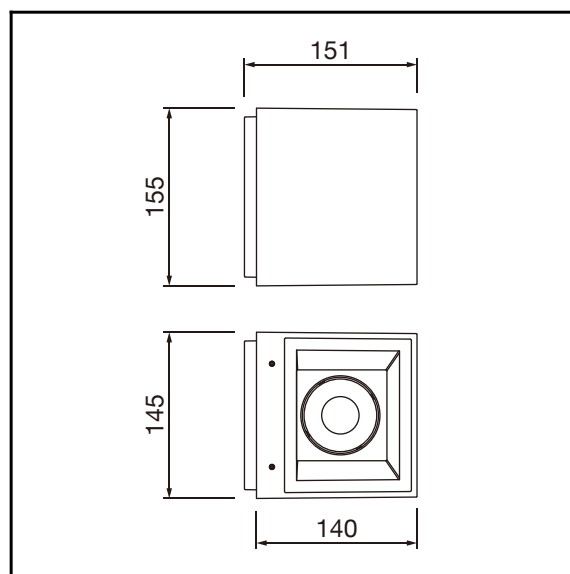




The photograph may not match the reference exactly. Please read the product description to identify the finish.



TECHNICAL CHARACTERISTICS



Product Model:	B-211LED25-2C
IP Protection degrees:	IP65
IK Protection degrees:	IK08
Light source:	2 x CREE COB
Total power consumption:	25W
Luminous Flux:	2250Lm
Luminous efficiency:	90Lm/w
Color temperature:	4000K as standard. Optinal 2700K, 3000K & 5700K. Amber LED available
Voltage/Frequency:	100-240V/50-60Hz
Warranty(Years):	3
Units per box:	4
Net Weight(Kg)	2.3

MATERIALS / FINISHES

Structure material: High purity aluminium	aiffuser material: Glass
Structure finish: Black	Diffuser finish: Matt

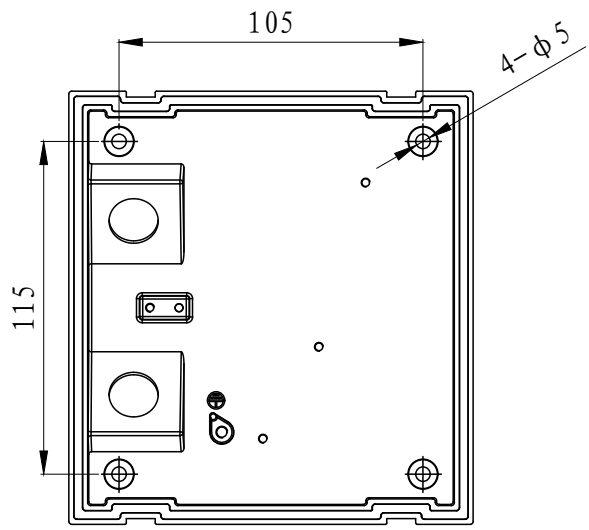
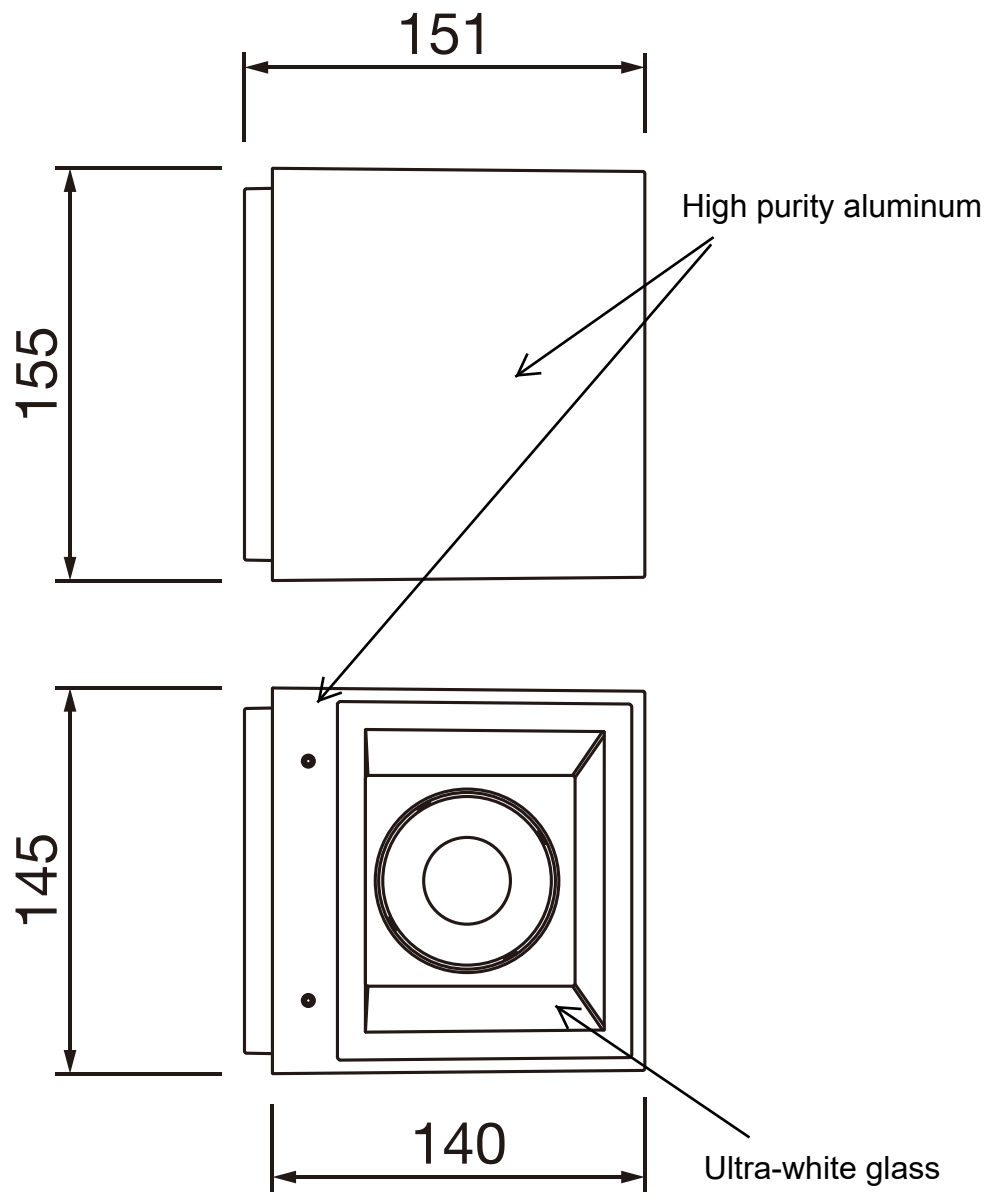
GEAR

Multi-voltage electronic gear included (110-240 V / 50-60 Hz)

Lm^(N): Nominal flow of light in actual working conditions. Its actual flow will depend on the environmental conditions and the efficiency of the optics and/or diffuser.

Kled reserves the right to make the necessary technical changes they deem adequate, in order to improve the features of the product.
Please consult the sales team to clarify any doubt.

Tel.: +86 574 62566 890
Email: info@kled.com.cn
http://www.kled.com.cn/



Installation template

OUTDOOR

