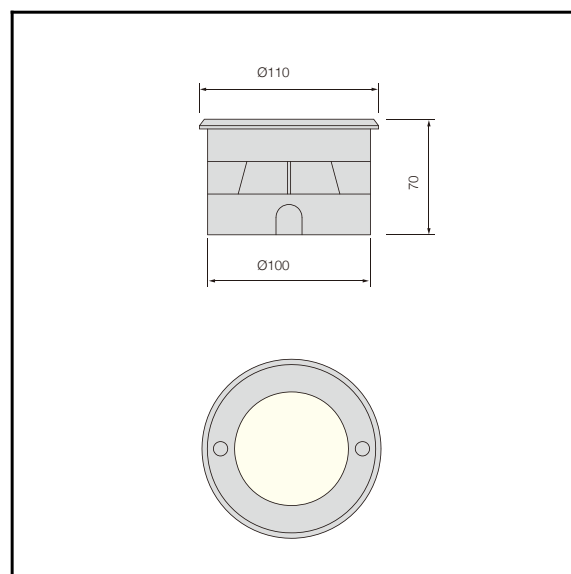




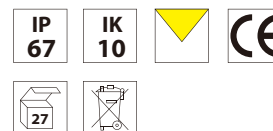
The photograph may not match the reference exactly. Please read the product description to identify the finish.



M-02

TECHNICAL CHARACTERISTICS

Type:	Inground lighting
IP Protection degrees:	IP67
IK Protection degrees:	IK10
Light source 1:	1x LED CREE 1W 24V AC/DC 3000K/6000K 96 lm ^(N) CRI 75
Total power consumption (W):	1.2
Voltage / Frequency:	100-240V/50-60Hz
Warranty (Years):	3
Units per box:	27
Net Weight (Kg):	0.5



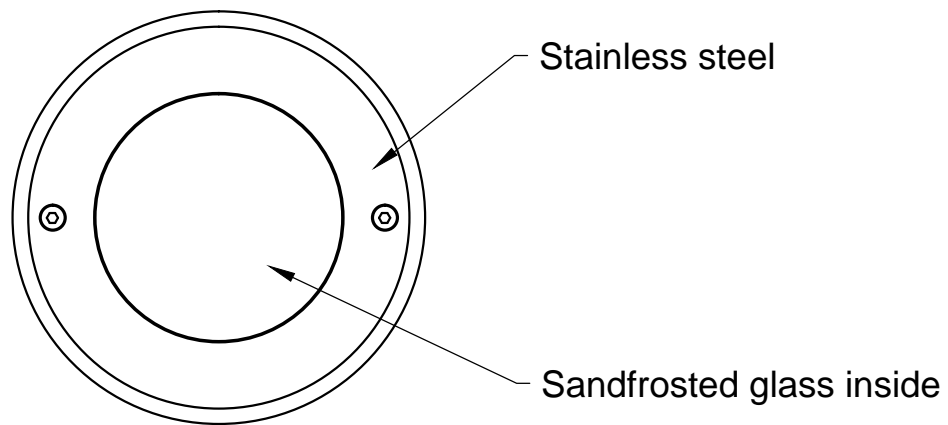
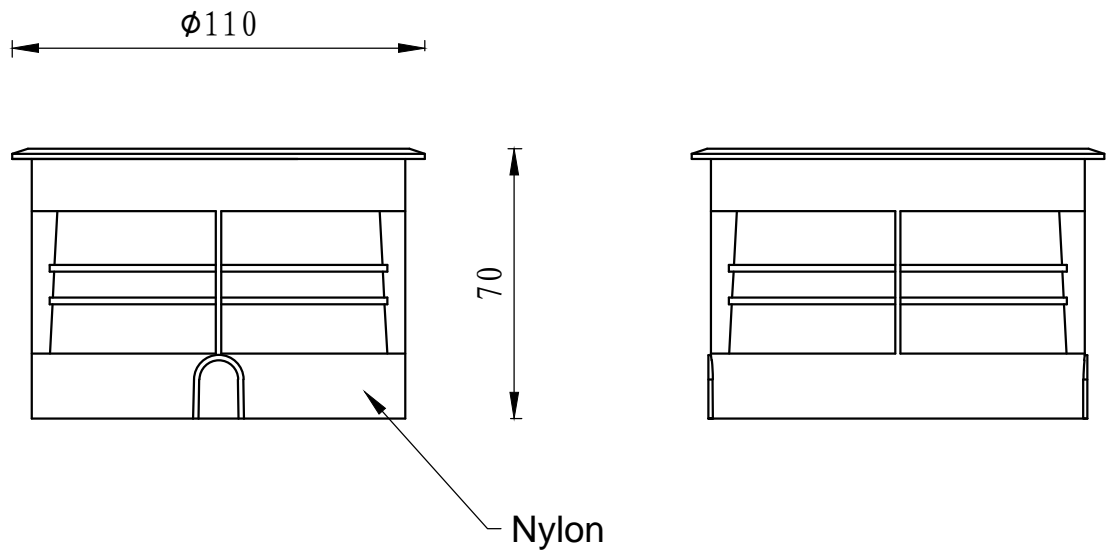
MATERIALS / FINISHES

Structure material: High purity aluminium	aiffuser material: Glass
Structure finish: Grey	Diffuser finish: Matt

GEAR

Multi-voltage electronic gear included (110-240 V / 50-60 Hz)

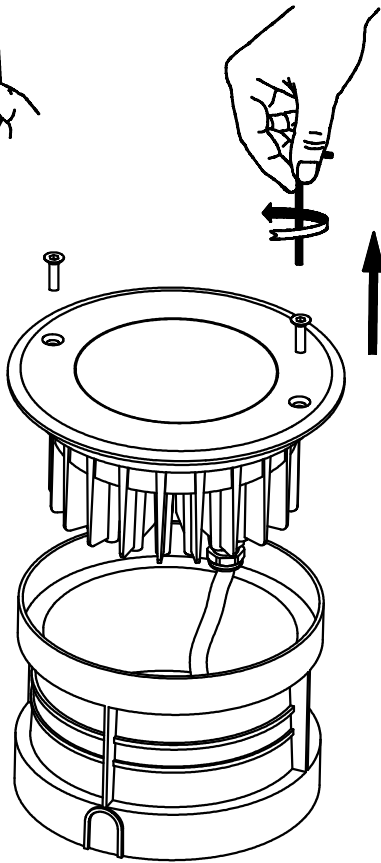
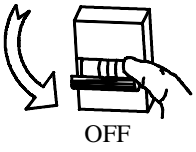
Lm^(N): Nominal flow of light in actual working conditions. Its actual flow will depend on the environmental conditions and the efficiency of the optics and/or diffuser.



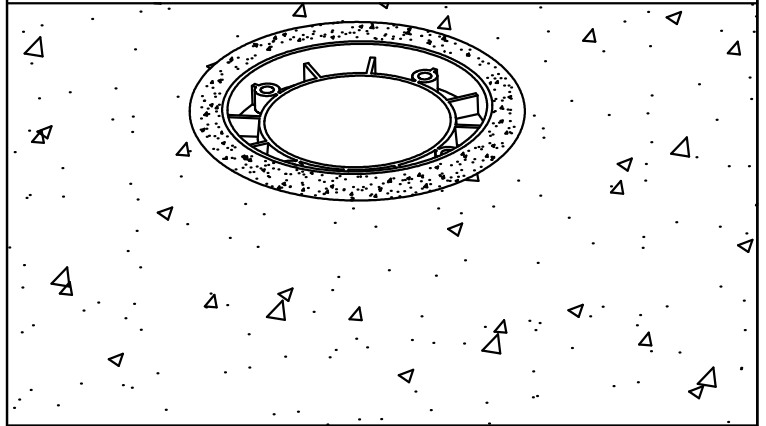
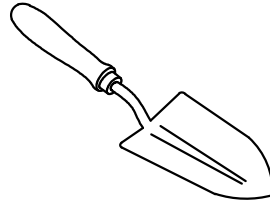
OUTDOOR

M-02

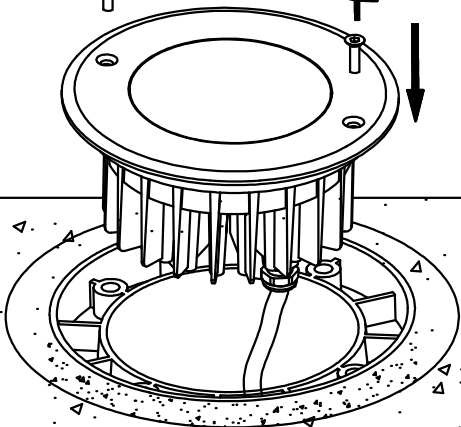
①



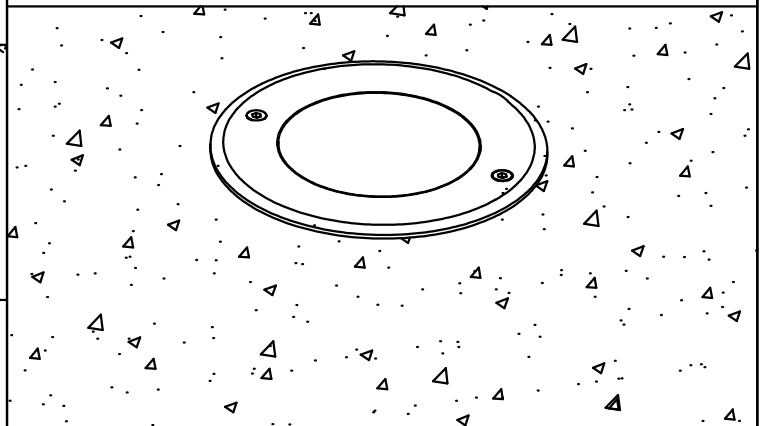
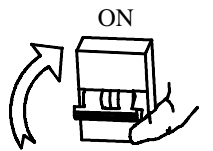
②



③



④



AC 100V-240V
50/60Hz

L
N
E

AC/DC 24V
开关电源

