

The photograph may not match the reference exactly.
Please read the product description to identify the finish.

TECHNICAL CHARACTERISTICS



Product Model:	TG-221LED600-3M	TG-221LED720-3M	TG-221LED800-4M	TG-221LED1000-4M	TG-221LED1200-6M	TG-221LED1500-6M
IP Protection degrees:	IP66					
IK Protection degrees:	IK10					
Light source:	198 x LED SAMSUNG / LUXEON 5050		264 x LED SAMSUNG / LUXEON 5050		396 x LED SAMSUNG / LUXEON 5050	
Total power consumption:	600W	720W	800W	1000W	1200W	1500W
Luminous Flux:	90000-1020000Lm	108000-122400Lm	120000-136000Lm	150000-170000Lm	180000-204000Lm	225000-255000Lm
Luminous efficiency:	150-170Lm/w					
Color temperature:	4000K/5000K/5700K					
Voltage/Frequency:	100-240V/50-60Hz					
Warranty(Years):	5					
Units per box:	1					
Net Weight(Kg)	12(Body)	12(Body)	15(Body)	15(Body)	21(Body)	21(Body)
Aerodynamic resistance (CxS)	0.168		0.222		0.332	

MATERIALS / FINISHES

Structure material: High purity aluminium + 6063	Diffuser material: PC
Structure finish: Black	Diffuser finish: Transparent

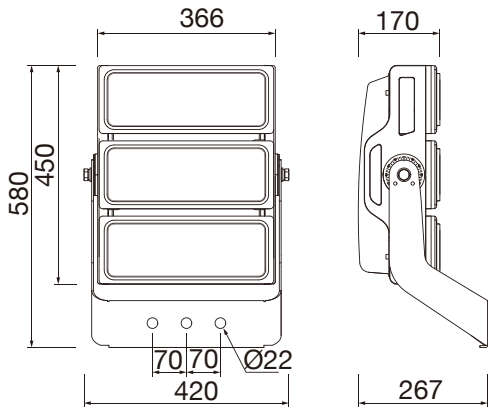
GEAR

Multi-voltage electronic gear included (100-240 V / 50-60 Hz)

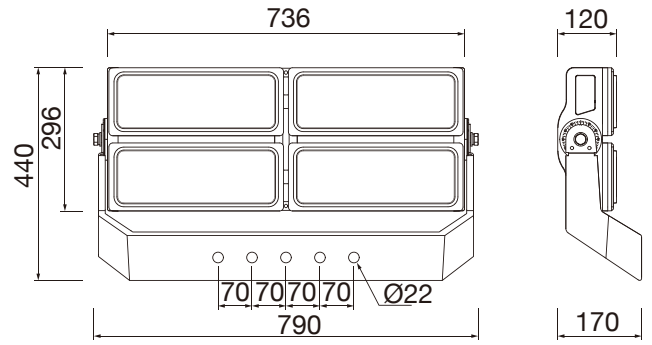
Lm^(N): Nominal flow of light in actual working conditions. Its actual flow will depend on the environmental conditions and the efficiency of the optics and/or diffuser.

Kled reserves the right to make the necessary technical changes they deem adequate, in order to improve the features of the product.
Please consult the sales team to clarify any doubt.

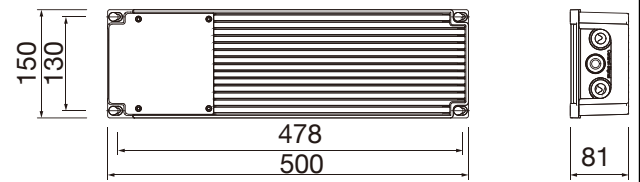
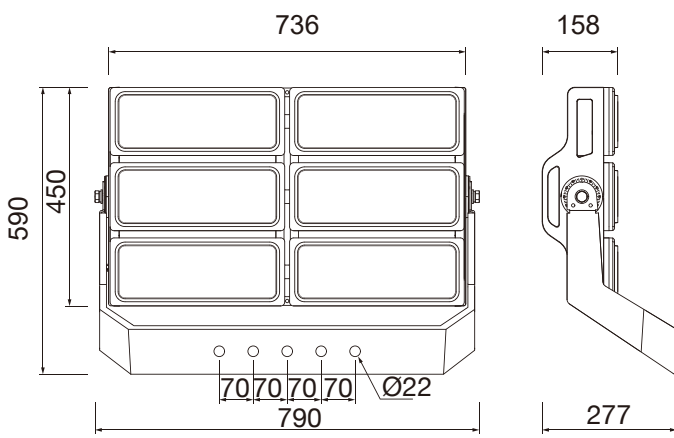
Tel.: +86 574 62566 890
Email: info@kled.com.cn
http://www.kled.com.cn/



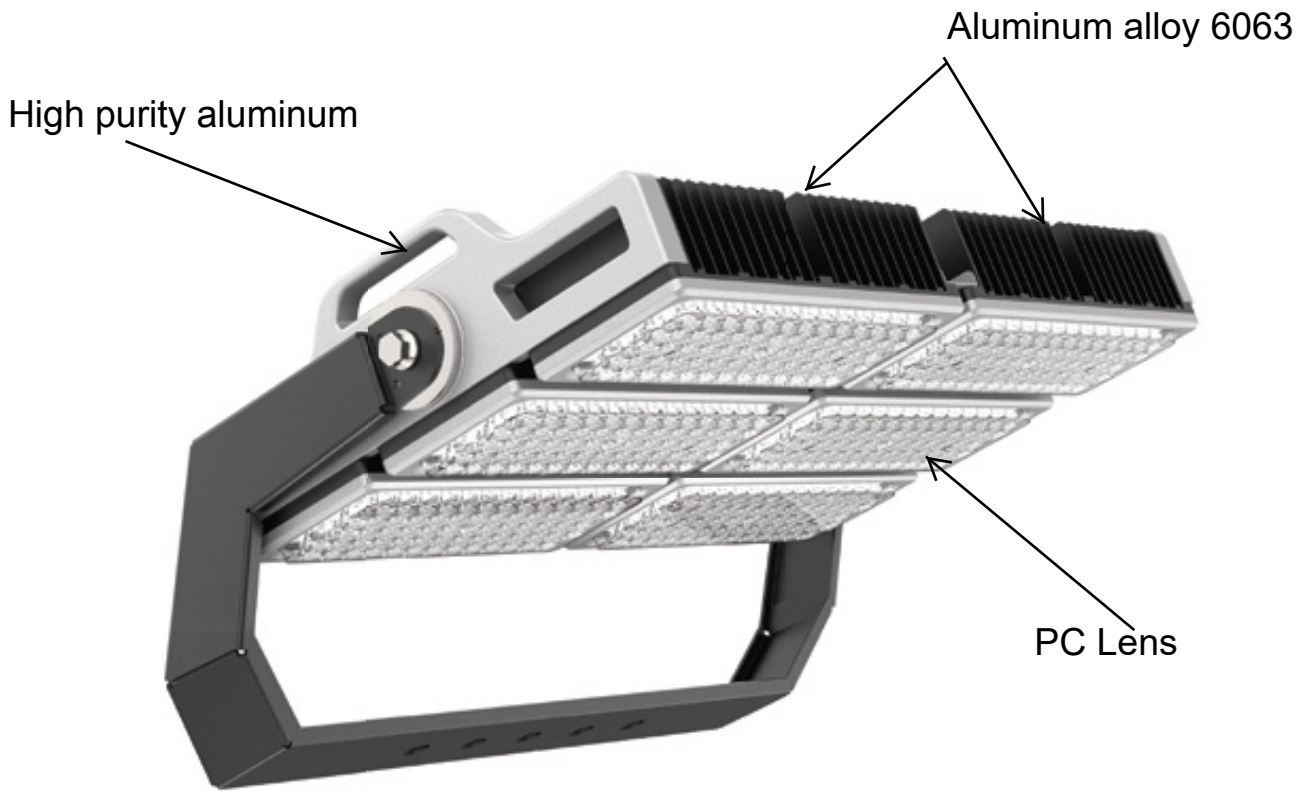
TG-221-3M



TG-221-4M



Intelligent driver



installation template