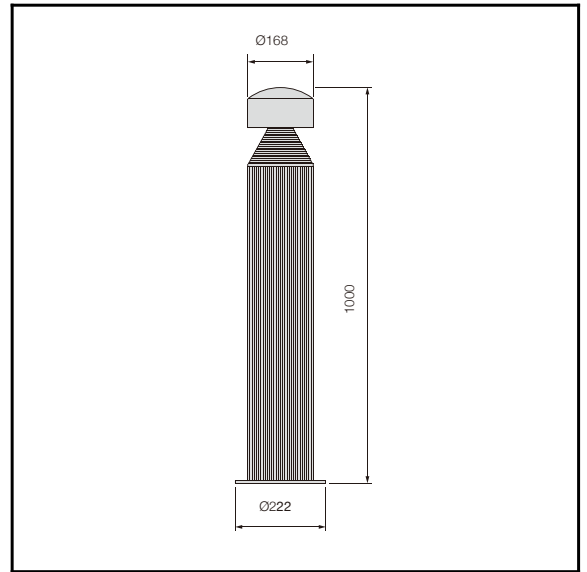




The photograph may not match the reference exactly. Please read the product description to identify the finish.



C-13B

TECHNICAL CHARACTERISTICS



Product Model:	C-13BH100	
IP Protection degrees:	IP65	
IK Protection degrees:	IK08	
Light source:	12 x LED CREE	56 x SMD 2835
Total power consumption:	25W	25W
Luminous Flux:	900-1000Lm	1000-1250Lm
Luminous efficiency:	36-40Lm/w	40-50Lm/w
Color temperature:	4000K as standard. Optinal 2700K,3000K & 5700K. Amber LED available	
Voltage/Frequency:	100-240V/50-60Hz	
Warranty(Years):	3	
Units per box:	1	
Net Weight(Kg)	6.3	

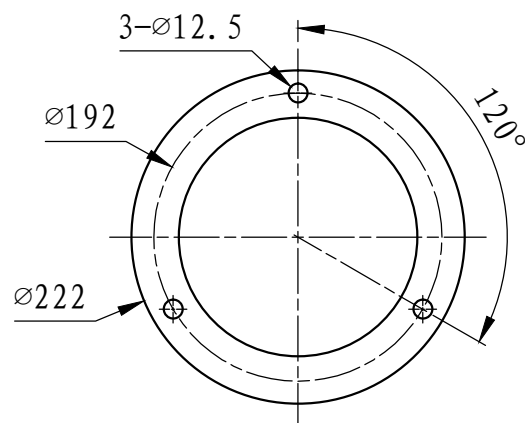
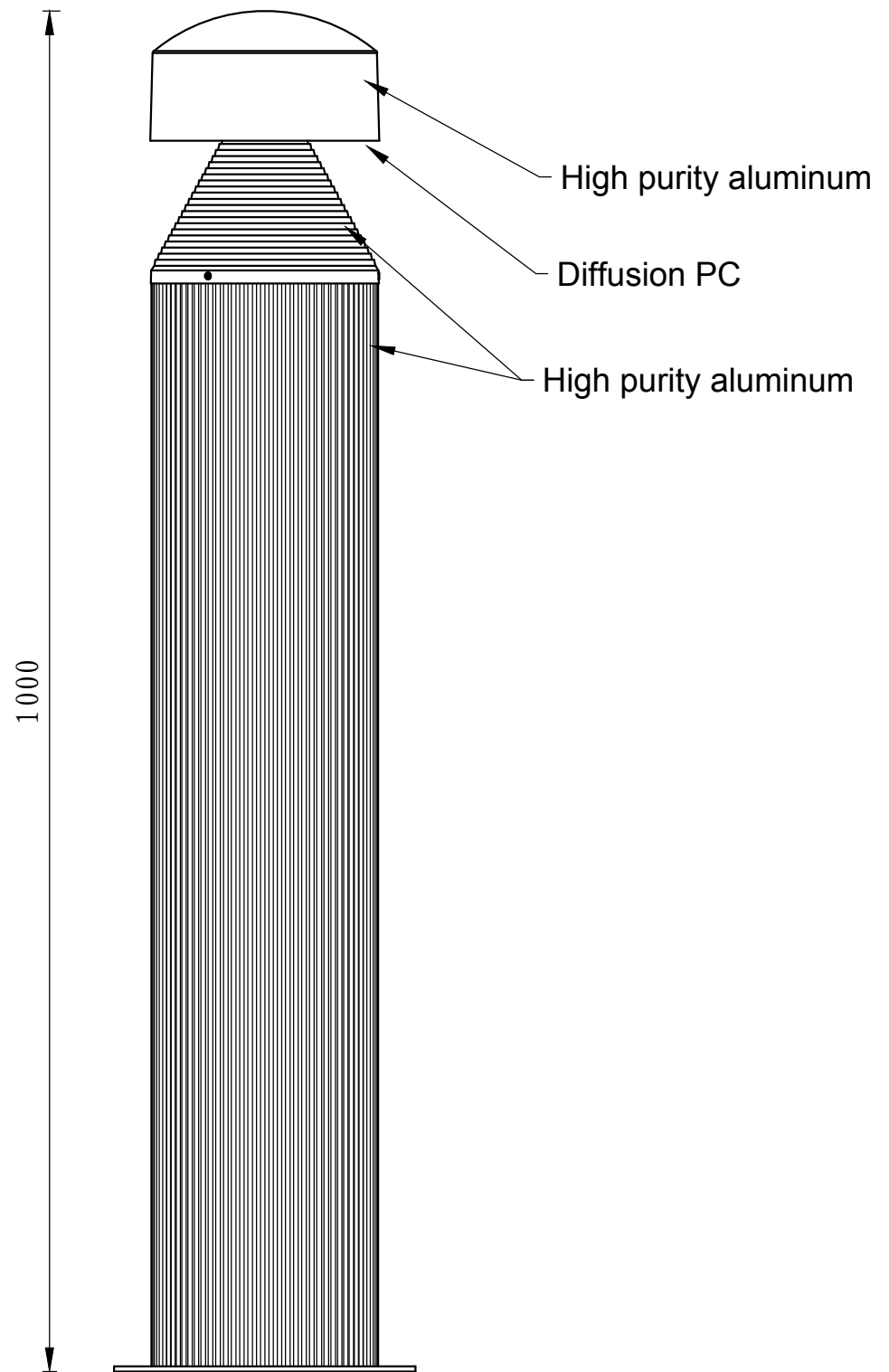
MATERIALS / FINISHES

Structure material: High purity aluminium	aiffuser material: PC
Structure finish: Silver	Diffuser finish: Matt

GEAR

Multi-voltage electronic gear included (110-240 V / 50-60 Hz)

Lm^(N): Nominal flow of light in actual working conditions. Its actual flow will depend on the environmental conditions and the efficiency of the optics and/or diffuser.



Installation template